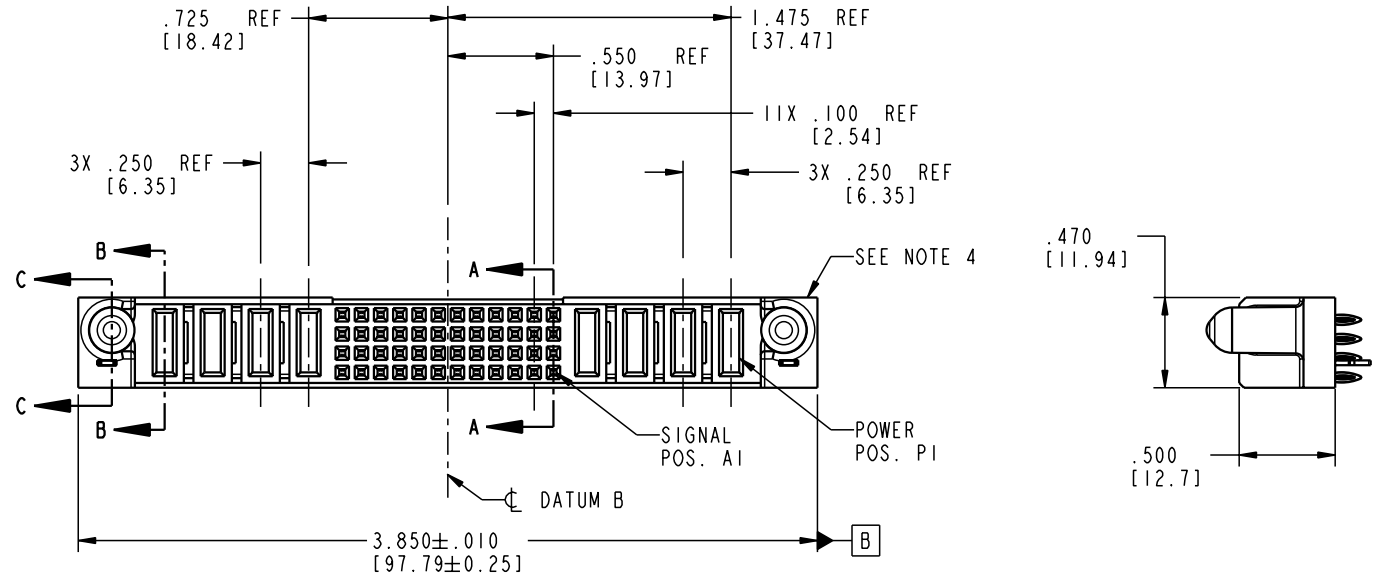


Tous droits strictement réservés. Reproduction ou communication o des liens interdite sous quelque forme que ce soit sans autorisation écrite du propriétaire. Propriete de c FCI. Droits de reproduction FCI.

All rights strictly reserved. Reproduction or issue to third parties in any form whenever is not permitted without written authority from the proprietor. Property of FCI. Copyright FCI.

PRODUCT NO.	ROWS	POWER				SIGNAL								POWER								
		E2	P8	P7	P6	P5	12	11	10	9	8	7	6	5	4	3	2	1	P4	P3	P2	P1
51740-10404804CA	D C B A		PC	PC	PC	PC	F	F	F	F	F	F	F	F	F	F	F	PC	PC	PC	PC	



CODE	DIM "M" MATING LENGTH	CONTACT TYPE
F	N/A [N/A]	SIGNAL
PC	.042 [1.07]	POWER
HA	N/A [N/A]	HOLD-DOWN

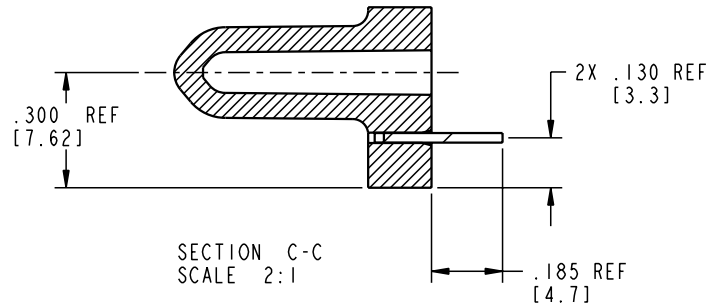
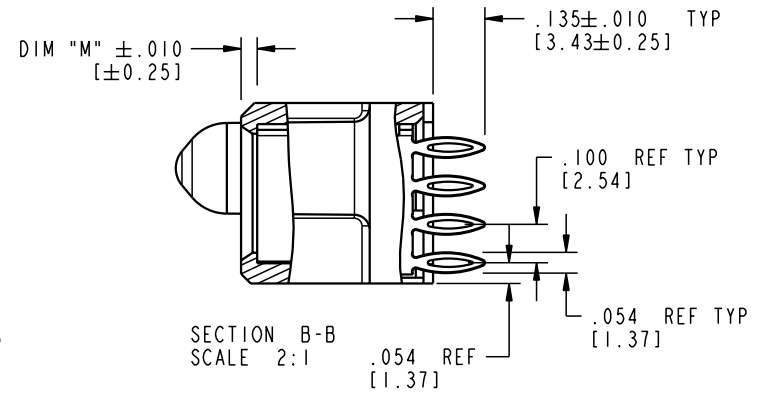
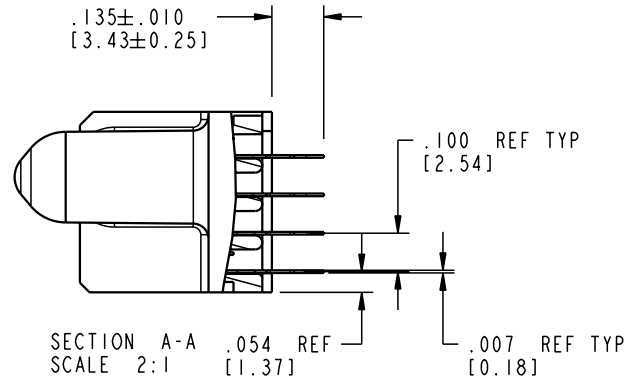
mat'l code				SEE NOTE 2		tolerances unless otherwise specified		CUSTOMER		 www.fciconnect.com	
ltr	ecm no.	dr	date	linear	.XX±.01/0.X±0.3		COPY		title		
A	V03-1165	TAB	10/27/03		.XXX±.005/0.XXX±0.13		projection		4P + 48S + 4P		
					.XXX±.0020/0.XXX±0.051				VERTICAL PRESS-FIT RECEPT		
					angles	0° ± 2°		INCH/MM		product family	
				dr	T. BRUNGARD	10/27/03	scale		PwrBlade		code
				engr	M. GRAY	10/27/03	1:1		size		213
				chr	M. GRAY	10/27/03			dwg no		sheet
				appd	M. GRAY	10/27/03			A 51740-10404804CA		1 of 4
sheet index	revision sheet	A	A	A	A						
		1	2	3	4						


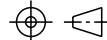
Pro/E 3 cage code 22526 4

Tous droits strictement réservés. Reproduction ou communication o des tiers interdite sous quelque forme que ce soit sans autorisation écrite du propriétaire. Propriete de c FCI. Droits de reproduction FCI.

All rights strictly reserved. Reproduction or issue to third parties in any form, whatever is not permitted without written authority from the proprietor. Property of FCI. Copyright FCI.

PRODUCT NUMBER
51740-10404804CA



mat'l code				SEE NOTE 2		tolerances unless otherwise specified		CUSTOMER		 FCI www.fciconnect.com	
ltr	ecn no.	dr	date	linear	.XX±.01/0.X±0.3		COPY		title		
A					.XXX±.005/0.XX±0.13		projection		4P + 48S + 4P		
					.XXXX±.0020/0.XXX±0.051				VERTICAL PRESS-FIT RECEIPT		
					angles	° ± °		INCH/MM		product family	
					dr	T. BRUNGARD 10/27/03		scale		PwrBlade	
				enr	M. GRAY 10/27/03		1:1		code		
				chr	M. GRAY 10/27/03				213		
				appd	M. GRAY 10/27/03				sheet		
sheet index		revision sheet						A		51740-10404804CA	
										2 of 4	

Pro/E

cage code 22526

PDM: Rev:A

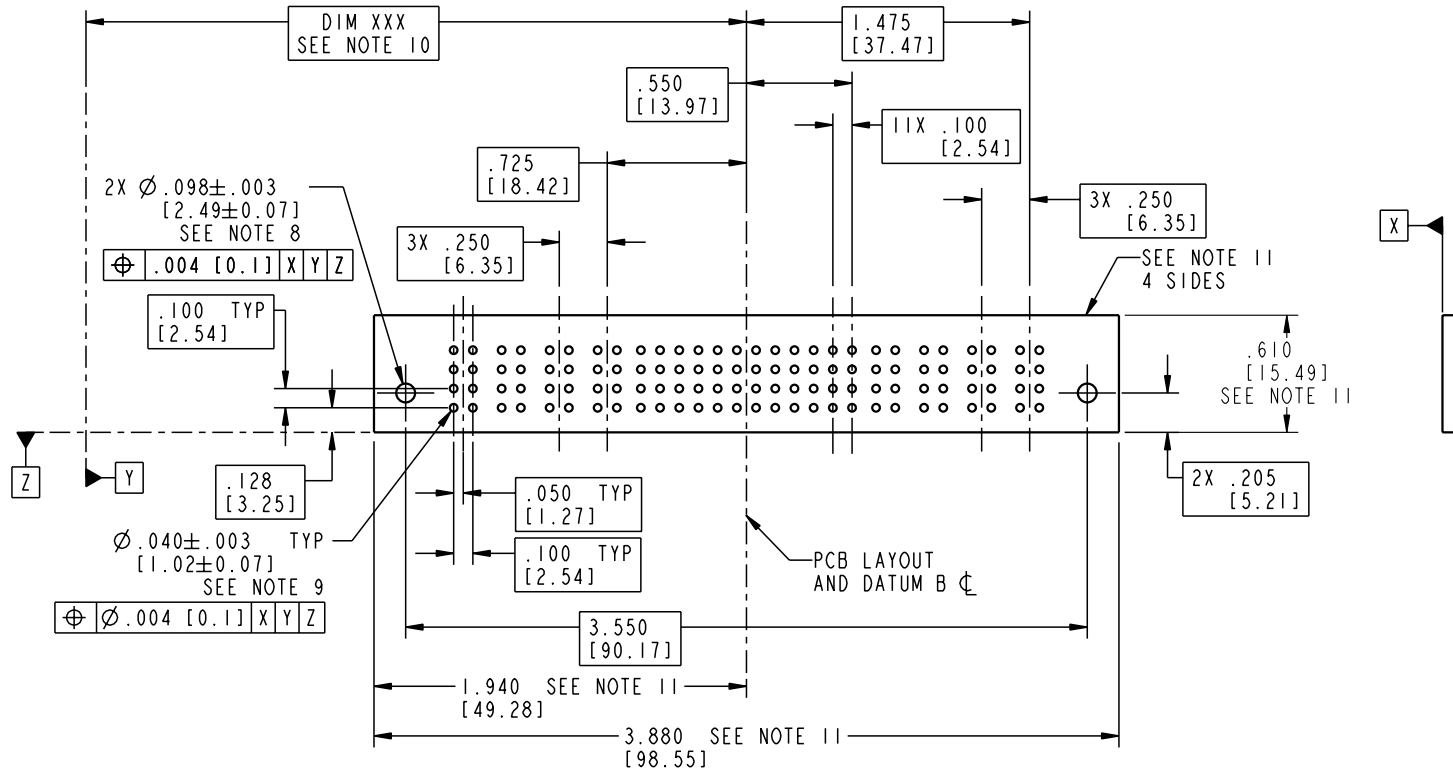
STATUS: Released

Printed: Aug 14, 2007

Tous droits strictement réservés. Reproduction ou communication o des tiers interdite sous quelque forme que ce soit sans autorisation écrite du propriétaire. Propriete de c FCI. Droits de reproduction FCI.

All rights strictly reserved. Reproduction or issue to third parties in any form, whenever is not permitted without written authority from the proprietor. Property of FCI. Copyright FCI.

PRODUCT NUMBER
51740-10404804CA



mat'l code				SEE NOTE 2		tolerances unless otherwise specified		CUSTOMER		 www.fciconnect.com	
ltr	ecn no.	dr	date	linear	.XX ± .01 / 0.X ± 0.3	projection	COPY		title		
A				angles	.XXX ± .005 / 0.XX ± 0.13		4P + 48S + 4P		VERTICAL PRESS-FIT RECEPT		
				dr	.XXX ± .0020 / 0.XXX ± 0.051	$0^\circ \pm 2^\circ$	INCH/MM		product family		code
				enr	T. BRUNGARD 10/27/03		scale		PwrBlade		213
				chr	M. GRAY 10/27/03		1:1		size		sheet
				appd	M. GRAY 10/27/03				A 51740-10404804CA		3 of 4
sheet index		revision sheet									

Pro/E

cage code 22526

PDM: Rev:A

STATUS: Released

Printed: Aug 14, 2007

Tous droits strictement réservés. Reproduction ou communication o des tiers interdite sous quelque forme que ce soit sans autorisation écrite du propriétaire. Propriete de c FCI. Droits de reproduction FCI.

A
FCI

All rights strictly reserved. Reproduction or issue to third parties in any form, whatever is not permitted without written authority from the proprietor. Property of FCI. Copyright FCI.

A

B

1 | 2

3 |

4

PRODUCT NUMBER

51740-10404804CA

NOTES:

1. DIMENSIONS AND TOLERANCES ARE IN ACCORDANCE WITH ASME Y14.5M, 1994 UNLESS OTHERWISE SPECIFIED.

CONNECTOR NOTES:

2 HOUSING MATERIAL: UL 94 V-0 GLASS FILLED

HIGH-TEMP THERMOPLASTIC
POWER CONTACT MATERIAL: COPPER ALLOY
SIGNAL PIN MATERIAL: COPPER ALLOY

3. PLATING:

SIGNAL PINS: 30u"/0.76um Au OVER 50u"/1.27um Ni
POWER CONTACTS: 50u"/1.27um Ni UNDER ALL
WITH 30u"/0.76um Au ON CONTACT AREA
AND SnPb ON PCB INTERFACE

4 MANUFACTURER'S NAME, P/N, AND DATE CODE TO APPEAR ON THIS SURFACE.

5. PRODUCT SPECIFICATION GS-12-149.
APPLICATION SPECIFICATION BUS-20-067.

6. PACKAGED IN TRAYS.

PCB NOTES:


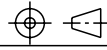
7. ALL HOLE DIAMETERS ARE FINISHED HOLE SIZE.

8 MOUNTING HOLES, WHERE APPLICABLE, ARE UNPLATED.

9 $\varnothing .0453 \pm .0010$ [1.151 \pm 0.025] DRILLED HOLES PLATED WITH
.0003 [0.008] MIN SnPb OVER .001 [0.03]
TO .003 [0.08] Cu PLATING TO ACHIEVE
 $\varnothing .040 \pm .003$ [1.02 \pm .07] HOLE.

10 "DIM XXX" TO BE DETERMINED BY THE CUSTOMER.

11 CONNECTOR KEEP-OUT ZONE.

mat'l code				SEE NOTE 2		tolerances unless otherwise specified		CUSTOMER		 FCI www.fciconnect.com	
ltr	ecn no.	dr	date	linear	.XX±.01/0.X±0.3		COPY		 title 4P + 48S + 4P VERTICAL PRESS-FIT RECEPT		
A					.XXX±.005/0.XX±0.13		INCH/MM				
				angles	.XXX±.0020/0.XX±0.051		scale		product family PwrBlade code 213 size dwg no 51740-10404804CA sheet 4 of 4		
				dr	T. BRUNGARD	10/27/03	1:1				
				enr	M. GRAY	10/27/03					
				chr	M. GRAY	10/27/03					
				appd	M. GRAY	10/27/03					
sheet index	revision sheet										

A

B

1 | 2

Pro/E

3 |

cage code **22526**

4

PDM: Rev:A

STATUS: **Released**

Printed: Aug 14, 2007